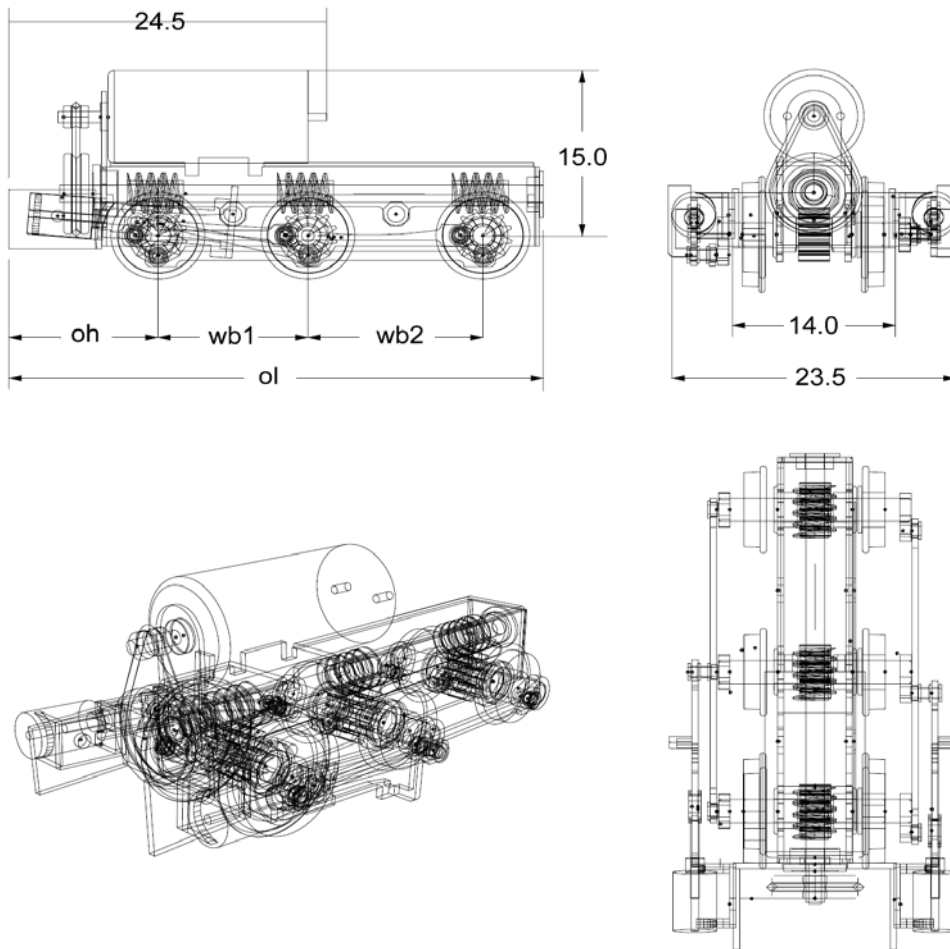


**CH09xxCxxOF Series
Coupled Outside Frame Chassis Dimension Guide**



For wheels up to 6.5mm dia. $OI = wb1 + wb2 + 17 \text{ mm}$

For wheels up to 9.5mm dia. $OI = wb1 + wb2 + 20 \text{ mm}$

Also available in 12mm gauge

These chassis are milled and folded from 0.5mm NS and supplied part assembled.

Brian Madge 2010

www.madqe00n3.co.uk