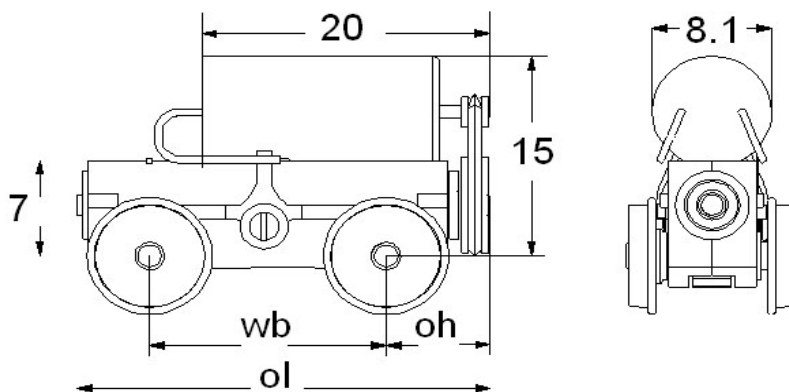


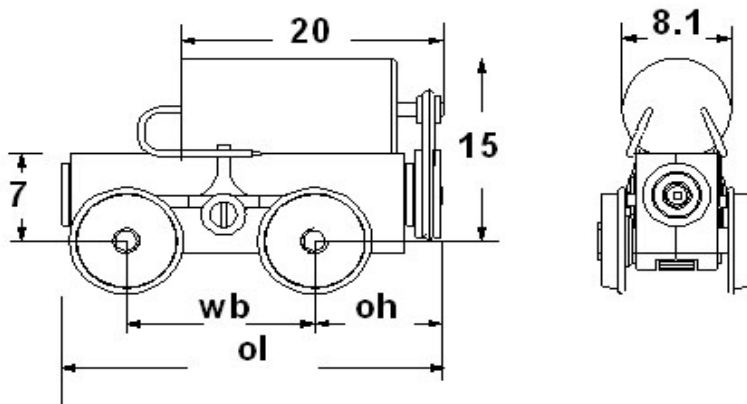
## Brian Madge Model Locomotive Drive Unit Dimension Guide

### Short Series



Model	Wheelbase (wb)	Overall Length (ol)	Drive overhang (oh)	Width
DU09105	10.5	23	7	11.5
DU09120	12	24.5	7	11.5
DU09130	13	25.5	7	11.5
DU09140	14	26.5	7	11.5
DU09160	16	28.5	7	11.5
DU09170	17	29.5	7	11.5
DU09180	18	30.5	7	11.5
DU09200	20	32.5	7	11.5

### Long Series



Model	Wheelbase (wb)	Overall length (ol)	Drive overhang (oh)	Width
DU09120L	12	27	9.5	11.5
DU09130L	13	28	9.5	11.5
DU09140L	14	29	9.5	11.5
DU09160L	16	31	9.5	11.5
DU09180L	18	33	9.5	11.5

Other wheelbases can be supplied to order. Wheels can be 5.5, 6.5, 7.5 or 8.5 all are plain. Drive units are supplied as easy assembly kits. 3 axle coupled units are available to order.